

WP-804 DMX/RDM CV Decoder



CE RoHS IP67

WP-804 uses the RDM protocol and supports DMX512/RDM signal bi-directional communication. The RDM protocol enables the remote management such as reading / writing DMX address (For RDM functions the DMX master must be RDM compliant). WP-804 has 4 channel output with max. 5A output for each channel. It can be used to control DIM, CT, RGB, RGBW constant voltage lights and achieve 0-100% dimming or various lighting effects. WP-804 can be operated in DMX mode or in customized mode.

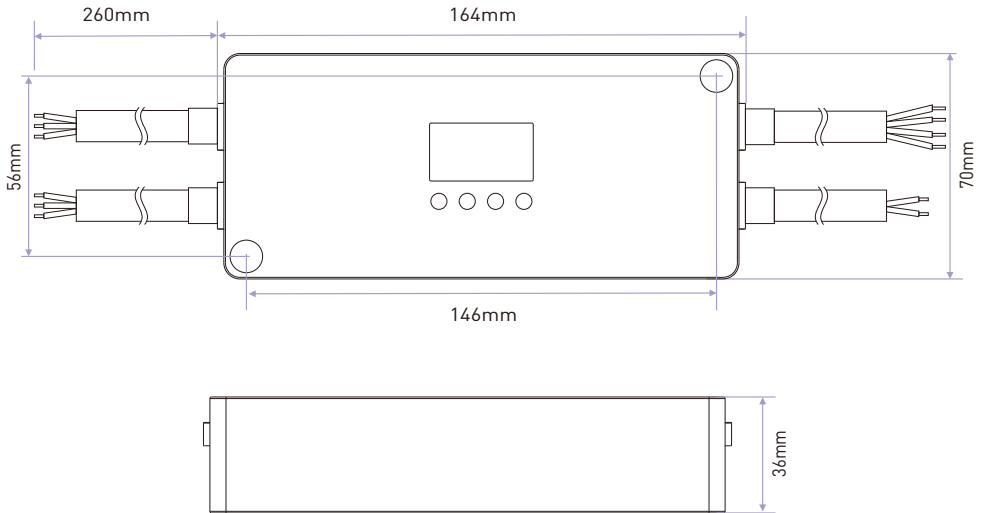
It is easy to set address via digital display and buttons. WP-804 is a waterproof decoder with IP67 rating, suitable for outdoor and damp environments.

Product Parameters

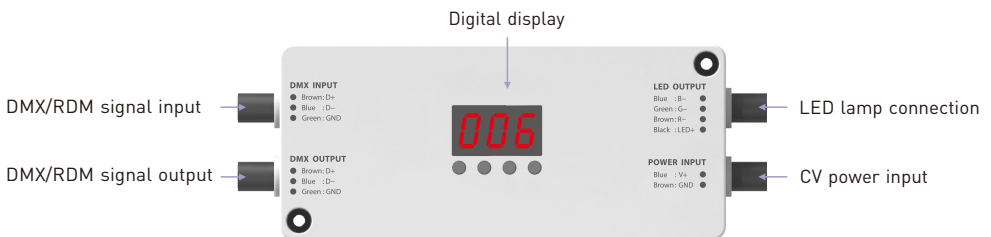
WP-804

Input Signal:	DMX512, RDM	Working Temp.:	-20°C~50°C
Input Voltage:	12-24V==	Weight(N.W.):	690g
Input Current:	Max. 20A	Dimensions(LxWxH):	L164xW70xH36mm
Output Voltage:	4x(12-24)V==	Package Size(LxWxH):	L230xW95xH47mm
Output Current:	Max. 5A/CH Max. 20A(4CH)	Waterproofing Grade:	IP67
Output Power:	(0-60...120)W/CH Max. 480W(4CH)	Protection:	Short circuit, over temperature, over current protection, auto recovery.

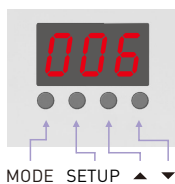
Product Size



Main Component Description



Digital display:



- **Access Configuration:** Long press the MODE button for more than 2s.
- **Adjust Value:** Short press ▲ or ▼ button.
- **Back to Start Page:** Long press the MODE button for 2s again or after 15 seconds of inactivity.
- **Save Configuration:** Long press the SETUP button for more than 2s.
- **Reset It to Factory Defaults:** Long press MODE, ▲, ▼ button simultaneously for 2s.

OLED display interface

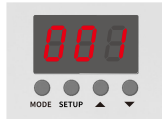
DMX mode



Interface of DMX mode

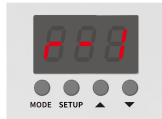
Short press the MODE button and ▲ button simultaneously. When the screen displays "L-1", it enters the DMX mode. Long press Mode button for 2s to enter the menu. After parameter settings are completed, Long press the SETUP button for more than 2s to save the configuration.

1. DMX address setting



Press ▲ or ▼ button to set the DMX address.
DMX address range: 1-512

2. Resolution



Short press MODE button to switch the menu to "r".
Press ▲ or ▼ button to select resolution and the third value on the screen will display 1 or 2.
Options: r-1 (8bit) / r-2 (16bit)

3. PWM frequency



Short press MODE button to switch the menu to "F".
Press ▲ or ▼ button to select PWM frequency and the third value on the screen will display H or L.
Options: F-H (3600Hz) / F-L (300Hz)

4. Dimming mode



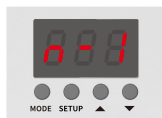
Short press MODE button to switch the menu to "d".
Press ▲ or ▼ button to select the dimming mode and the third value on the screen will display 1 or 2.
Options: d-1 (Smooth dimming) / d-2 (Standard dimming)

5. DMX channels



Short press MODE button to switch the menu to "C".
Press ▲ or ▼ button to select the channels and the third value on the screen will display 1, 2, 3 or 4.
Options:
C-4 (4 channel output occupies corresponding 4 DMX addresses)
C-1 (4 channel output occupies DMX address 1)
C-2 (1st and 3rd channel output occupy DMX address 1; 2nd and 4th channel output occupy DMX address 2)
C-3 (1st channel output occupies DMX address 1; 2nd channel output occupies DMX address 2; 3rd and 4th channel output occupy DMX address 3)

6. Screen timeout



Short press MODE button to switch the menu to "n".
Press ▲ or ▼ button to select screen timeout and the third value on the screen will display 1 or 2.
Options: n-1 (Screen stays on)
n-2 (Screen turns off after 30 seconds of inactivity)

Customized mode



Interface of customized mode

Short press the MODE and ▼ button simultaneously. When the screen displays "L-2", it enters the customized mode. Long press the MODE button for 2s to enter the menu. After parameter settings are completed, Long press the SETUP button for more than 2s to save the configuration.

1. Lighting effects



e.g. E-1 (no lighting effect)



e.g. E-A (7-color gradient)

Short press MODE button to switch the menu to "E".

Press ▲ or ▼ button to select the lighting effect and the third value on the screen will display 1, 2, 3, 4, 5, 6, 7, 8, 9 or A.

Options:

E-1 (no lighting effect)	E-6 (Purple)
E-2 (Red)	E-7 (Cyan)
E-3 (Green)	E-8 (White)
E-4 (Blue)	E-9 (7-color jumping)
E-5 (Yellow)	E-A (7-color gradient)

2. Color-changing speed



Short press MODE button to switch the menu to "S".

Press ▲ or ▼ button to select speed and the third value on the screen will display 1, 2, 3, 4, 5, 6, 7 or 8.

Default: S-5

Options: S-1 / S-2 ····· S-7 / S-8



Speed levels, speed increases one by one

3. Brightness



Short press MODE button to switch the menu to "B".

Press ▲ or ▼ button to select the brightness level and the third value on the screen will display 1, 2, 3, 4, 5, 6, 7 or 8.

Default: B-8

Options: B-1 / B-2 ····· B-7 / B-8



Brightness levels, brightness increases one by one

4. Screen timeout



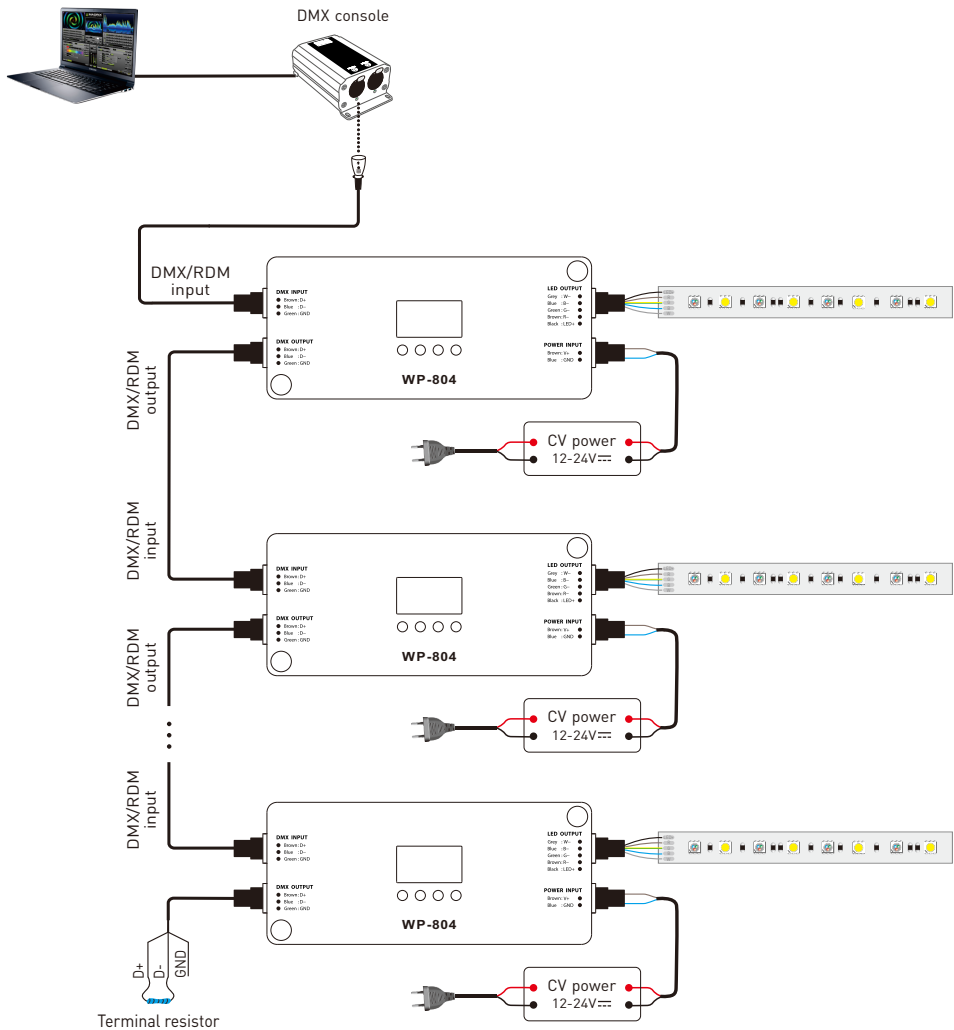
Short press MODE button to switch the menu to "n".

Press ▲ or ▼ button to select screen timeout and the third value on the screen will display 1 or 2.

Options: n-1 (Screen stays on)

n-2 (Screen turns off after 30 seconds of inactivity)

Wiring Diagram



- * When more than 32 DMX decoders are connected, DMX signal amplifiers are needed and signal amplification should not be more than 5 times continuously. If you need to modify the parameter settings of connected DMX/RDM decoders that exceed 32, you can add 1 RDM signal amplifier. Or you can add 1-5 DMX signal amplifiers after completing the parameter settings.
- * If the recoil effect occurs because of long signal line or poor quality wires, please try to connect a 0.25W 90-120Ω terminal resistor at the end of each line.

Attentions

- This product must be installed and adjusted by a qualified professional.
 - Good heat dissipation will extend the life the product. Please install the product in a environment with good ventilation.
 - When you install this product, please avoid being near a large area of metal objects or stacking them to prevent signal interference.
 - Please keep the product away from a intense magnetic field, a high pressure area or a place where lightning is easy to occur.
 - Please check whether the working voltage used complies with the parameter requirements of the product.
 - Before you power on the product, please make sure all the wiring is correct in case of incorrect connection that may cause a short circuit and damage the components, or trigger a accident.
 - If a fault occurs, please do not attempt to fix the product by yourself. If you have any question, contact the supplier.
- * This manual is subject to changes without further notice. Product functions depend on the goods. Please feel free to contact our official distributors if you have any question.

Warranty Agreement

Warranty periods from the date of delivery: 5 years.

Free repair or replacement services for quality problems are provided within warranty periods.

Warranty exclusions below:

- Beyond warranty periods.
 - Any artificial damage caused by high voltage, overload, or improper operations.
 - Products with severe physical damage.
 - Damage caused by natural disasters and force majeure.
 - Warranty labels and barcodes have been damaged.
 - No any contract signed by LTECH.
1. Repair or replacement provided is the only remedy for customers. LTECH is not liable for any incidental or consequential damage unless it is within the law.
 2. LTECH has the right to amend or adjust the terms of this warranty, and release in written form shall prevail.

WP-804

DMX/RDM恒压解码器



CE RoHS IP67

WP-804应用标准的RDM远程设备管理协议，支持DMX512信号双向通讯，可实现远程读取/写入DMX地址等管理功能(DMX主控需支持RDM协议)，具有4通道输出接口，每路最大可输出5A，实现0-100%调光或各种变化效果，可控制单色、双色、RGB、RGBW的恒压LED灯具；可切换DMX模式/自定义模式。

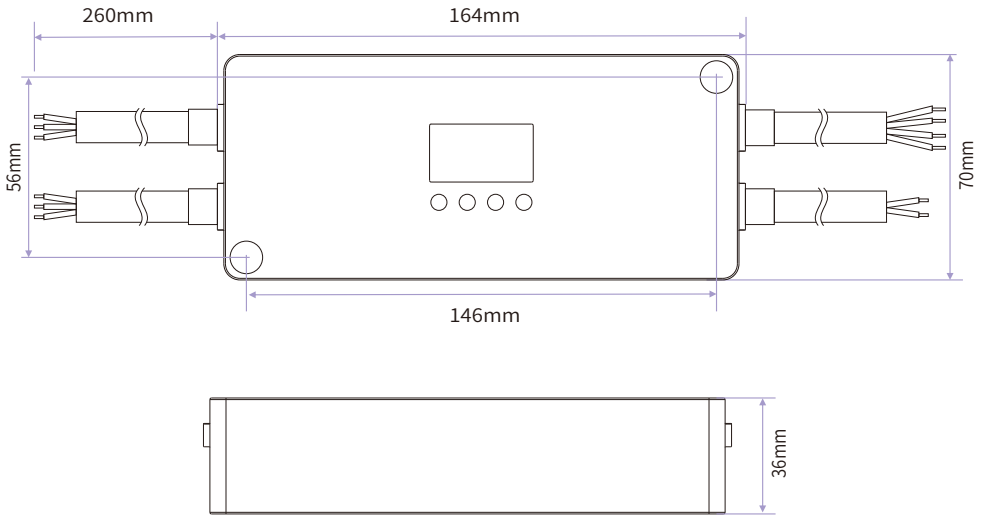
使用数码管和轻触按键设置地址，操作简单快捷；同时拥有IP67等级的防水功能，可用于室外和潮湿环境。

技术参数

WP-804

输入信号:	DMX512, RDM	工作温度:	-20°C-50°C
输入电压:	12-24V==	产品重量:	690克
输入电流:	Max. 20A	产品尺寸:	L164×W70×H36mm
输出电压:	4×(12-24)V==	包装尺寸:	L230×W95×H47mm
输出电流:	4路×5A Max. 20A	防水等级:	IP67
输出功率:	4路×(0-60...120)W Max. 480W	保护:	短路、过温、过流保护，可自行恢复

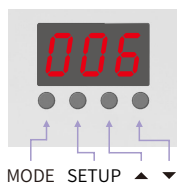
产品尺寸



产品部件图



地址数码管：



- 进入配置：长按MODE键2秒以上
- 调整数值：短按▲或▼键
- 返回初始页：再次长按MODE键2秒或无操作15秒
- 保存配置：长按SETUP键2秒以上
- 恢复出厂：同时长按MODE、▲、▼键2秒

地址数码管界面图

DMX模式



DMX模式界面

同时长按MODE和▲键，数码管显示“L-1”时，进入DMX模式
 长按MODE键2秒即可进入菜单，参数设置完成后，长按SETUP键2秒以上保存配置

1. DMX地址设置



按▲或▼键进行选择，进行DMX地址设置
 范围：1~512

2. 分辨率



短按MODE键，将菜单切换到“r”
 按▲或▼键进行选择，第三个数码管显示1或2
 可选项：**r-1 (8bit)** / r-2 (16bit)

3. PWM频率



短按MODE键，将菜单切换到“F”
 按▲或▼键进行选择，第三个数码管显示H或L
 可选项：**F-H (3600Hz)** / F-L (300Hz)

4. 调光模式



短按MODE键，将菜单切换到“d”
 按▲或▼键进行选择，第三个数码管显示1或2
 可选项：**d-1 (平滑)** / d-2 (标准)

5. 通道



短按MODE键，将菜单切换到“C”
 按▲或▼键进行选择，第三个数码管显示1~4
 可选项：**C-4 (4路输出分别为对应通道)**
 C-1 (4路输出均为通道1)
 C-2 (1、3路输出均为通道1, 2、4路输出均为通道2)
 C-3 (1路输出为通道1, 2路输出为通道2,
 3路和4路输出均为通道3)

6. 屏显时间



短按MODE键，将菜单切换到“n”
 按▲或▼键进行选择，第三个数码管显示1或2
 可选项：**n-1 (数码管常亮)** / n-2 (30s内无操作将熄灭)

自定义模式



自定义模式界面

同时长按MODE和▼键，数码管显示“L-2”时，进入自定义模式
 长按MODE键2秒即可进入菜单，参数设置完成后，长按SETUP键2秒以上保存配置

1. 灯光效果



例:E-1 (灯光效果无)



例:E-A (七色渐变)

短按MODE键，将菜单切换到“E”

按▲或▼键进行选择，第三个数码管显示1~9或A

可选项：

E-1 (无)	E-6 (紫色)
E-2 (红色)	E-7 (青色)
E-3 (绿色)	E-8 (白色)
E-4 (蓝色)	E-9 (七色跳变)
E-5 (黄色)	E-A (七色渐变)

2. 速度



短按MODE键，将菜单切换到“S”

按▲或▼键进行选择，第三个数码管显示1~8

默认值：S-5

可选项：S-1/S-2 …… S-7/S-8



3. 亮度



短按MODE键，将菜单切换到“B”

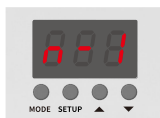
按▲或▼键进行选择，第三个数码管显示1~8

默认值：B-8

可选项：B-1/B-2 …… B-7/B-8



4. 屏显时间

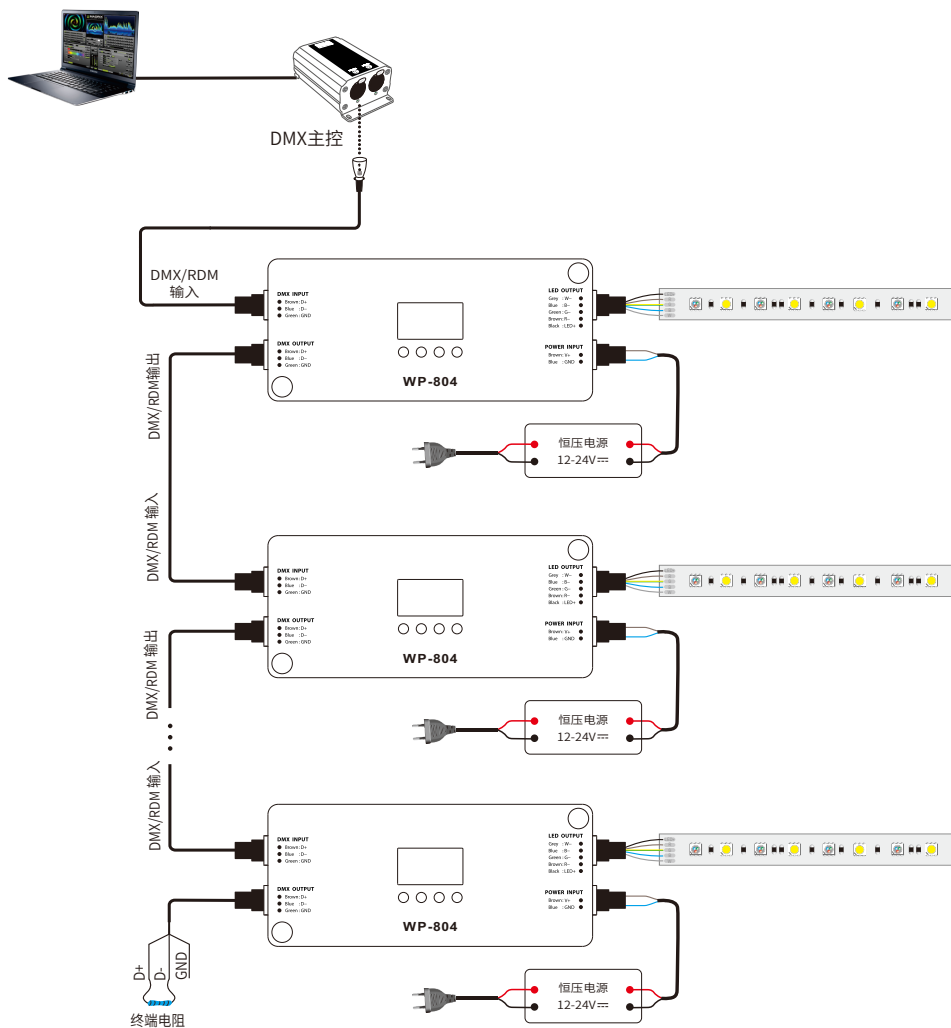


短按MODE键，将菜单切换到“n”

按▲或▼键进行选择，第三个数码管显示1或2

可选项：n-1 (数码管常亮) / n-2 (30s内无操作将熄灭)

连接示意图



* 超过32台DMX解码器连接需加LED控制器，信号放大不能连续超过5次。当超过32台DMX/RDM解码器连接时，如需修改其参数设置可添加1台LED控制器，或者将其参数设置完成后，再添加1~5台LED控制器。

* 当信号线较长或者线材质量等原因造成信号反冲效应影响使用，可以尝试在每路信号线末端连接0.25W 90-120Ω终端电阻去解决。

注意事项

- 本产品请由具有专业资格的人员进行调试安装；
- 良好的散热条件会延长产品的使用寿命，请把产品安装在通风良好的环境；
- 安装时，避免靠近大面积金属物体，或堆叠摆放，以免信号干扰影响使用；
- 避免安装在雷区、强磁场和高压区域；
- 请检查使用的工作电压是否符合产品的参数要求；
- 通电调试前，确保所有接线正确且牢固，以免短路损坏部件，触发事故；
- 如果发生故障，请勿私自维修；如有疑问，请联系供应商。

* 本说明书的内容如有变更，恕不另行通知。若内容与您使用的功能有所不同，则以实物为准。如有疑问，请与供应商联系。

保修协议

- 自出厂之日起保修服务期为5年。
- 在保修服务期内出现产品质量问题雷特将给予免费修理或更换服务。

非保修条例：

属下列情况不在免费保修或更换服务范围之内：

- 已经超出保修服务期；
- 过高电压、超负载、操作不当等人为造成的损坏；
- 产品外形严重损坏或变形；
- 自然灾害以及人力不可抗拒原因造成的损坏；
- 产品保修标签和产品唯一条形码损坏；
- 无雷特签订的合同或发票凭证。

1. 修理或更换是雷特对客户的一补救措施。雷特不承担任何附带引起的损害赔偿任，除非在适用法律范围之内。
2. 雷特享有修正或调整本保修条款的权利，并以书面形式发布为准。